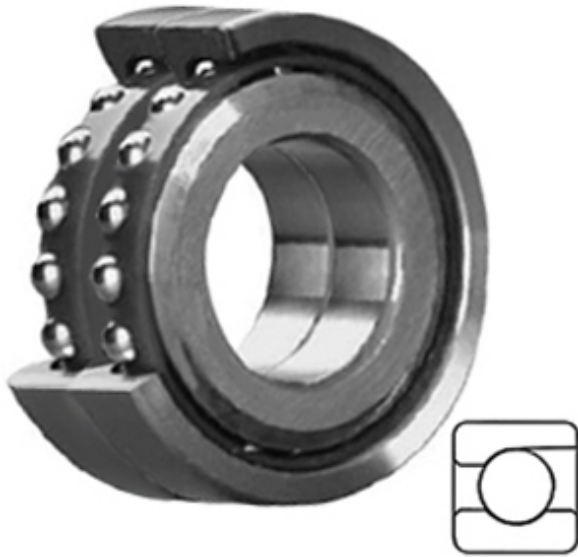




## Bearing Rolamentos do Brasil Ltda.



130BAR10STYNDBLP4A Bearing 2D drawings and 3D CAD models

### 130BAR10STYNDBLP4A NSK Super Precision Bearings

Bearing No. 130BAR10STYNDBLP4A

Category	Precision Ball Bearings
Inventory	0.0
Manufacturer Name	NSK
Minimum Buy Quantity	N/A
Weight	7.11
Product Group	B04270
Enclosure	Open
Precision Class	ABEC 7   ISO P4
Material - Ball	Steel
Number of Bearings	2 (1 Pair)
Contact Angle	30 Degree
Preload	Light
Raceway Style	1 Rib Outer Ring
Cage Material	Polyamide
Rolling Element	Ball Bearing
Mounting Arrangement	Duplex-Back to Back
Flush Ground	Yes
Inch - Metric	Metric
Other Features	Single Row   Angular Contact Thrust Bearing   High Speed   ISO 4 Expect OD
Long Description	130MM Bore; 200MM Outside Diameter; 63MM Width; Open Enclosure; ABEC 7   ISO P4 Precision; Steel Ball Material; 2 (1 Pair) Bearings; 30 Degree Contact



## Bearing Rolamentos do Brasil Ltda.

	Angle; Polyamide Cage Material; 1 Rib Outer Ring
Category	Precision Ball Bearings
UNSPSC	31171531
Harmonized Tariff Code	8482.10.50.28
Noun	Bearing
Keyword String	Angular Contact Ball
Manufacturer URL	<a href="http://www.nskamericas.com">http://www.nskamericas.com</a>
Manufacturer Item Number	130BAR10STYNDBLP4A
Weight / LBS	15.653
D	7.874 Inch   200 Millimeter
B	2.48 Inch   63 Millimeter
d	5.118 Inch   130 Millimeter